

Gasoline containing up to 10% ethanol (E10) is acceptable for use in this machine. The use of any gasoline exceeding 10% ethanol (E10) will void the product warranty.

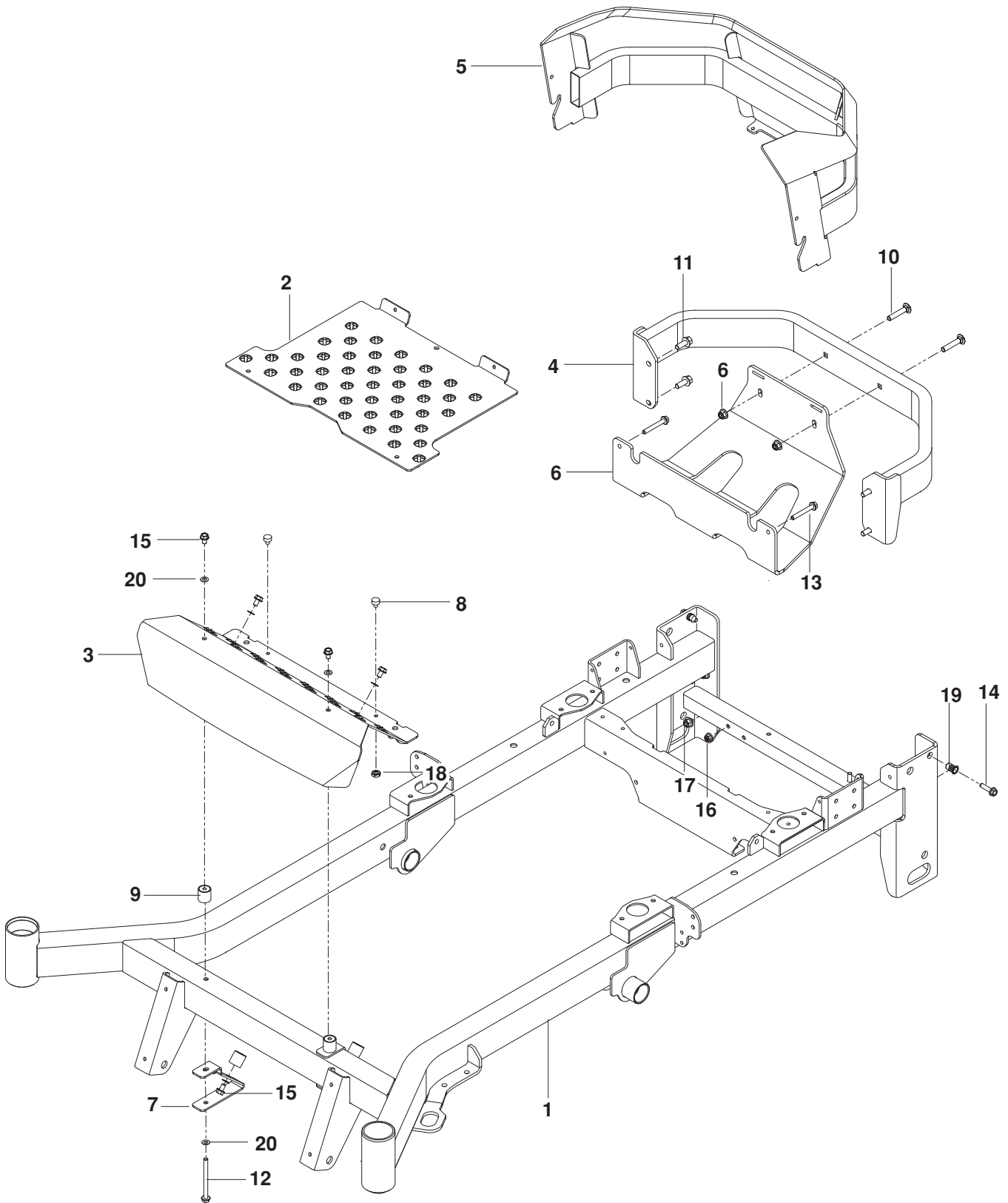
## **Parts Manual**

**PZ6029FX CA / 966614302**



Please read the operator's manual carefully and make sure you understand the instructions before using the machine.

# FRAME

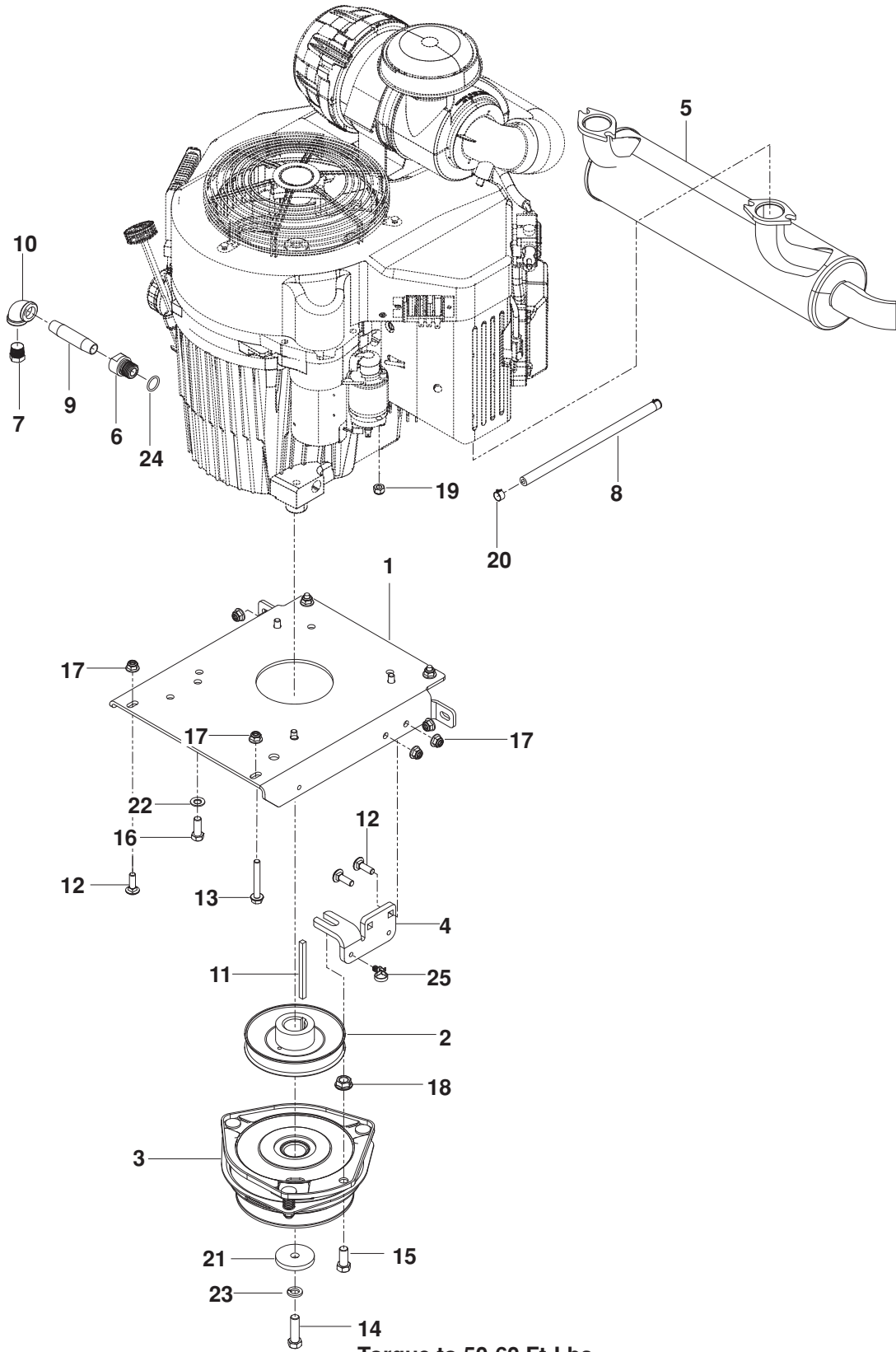


# FRAME

---

ITEM	PART NO.	QTY.	DESCRIPTION	ITEM	PART NO.	QTY.	DESCRIPTION
1..	574 482801....	1	....FRAME w/ SAFETY DECALS	11..	525 612801....	4	....HHFS $\frac{3}{8}$ -16 x 1 HEX FLG
2..	574 215602....	1	....FLOORPAN ORG	12..	539 131780....	2	....HHFS $\frac{5}{16}$ -18 x $3\frac{3}{4}$
3..	574 215702....	1	....FOOTREST ORG	13..	574 233801....	2	....HHFS $\frac{5}{16}$ -18 x $2\frac{1}{4}$
4..	522 675702....	1	....BUMPER, REAR ORG	14..	525 544001....	2	....HHFS $\frac{5}{16}$ -18 x $1\frac{1}{4}$ TPBLT
5..	574 221602....	1	....GUARD, REAR GRY	15..	539 990858....	6	....SCREW $\frac{5}{16}$ -18 x $\frac{1}{2}$ SLF TAP
6..	574 228602....	1	....PLATE, SKID GRY	16..	539 112899....	2	....NUT $\frac{5}{16}$ -18 HEX FLG NYLOC
7..	510 040301....	2	....BRACKET, REST MOUNT	17..	521 996501....	7	....NUT $\frac{3}{8}$ -16 HEX FLG NYLOC
8..	575 811501....	2	....BUMPER $\frac{1}{4}$ -20 STUD $\frac{3}{8}$ "	18..	539 108120....	2	....NUT $\frac{1}{4}$ -20 HEX THIN NYLOC
9..	510 083201....	4	....MOUNT, F/F INSERT	19..	539 111028....	2	....NUTSERT $\frac{5}{16}$ -18
10..	539 100145....	2	....RHSNB $\frac{3}{8}$ -16 x 2	20..	539 109600....	8	....WASHER $\frac{5}{16}$ DISC SPRING

# ENGINE PLATE



Torque to 50-60 Ft-Lbs

# ENGINE PLATE

---

ITEM	PART NO.	QTY.	DESCRIPTION	ITEM	PART NO.	QTY.	DESCRIPTION
1..	510 004602....	1	.... PLATE, ENGINE	15..	539 100143....	1	.... HCS 7/16-14 x 1 HEX NYLOC
2..	510 019801....	1	.... PULLEY, ENGINE	16..	539 990563....	4	.... HCS 3/8-16 x 1 HEX NYLOC
3..	525 749501....	1	.... CLUTCH, GT 3.5	17..	539 112899....	8	.... NUT 5/16-18 HEX FLG NYLOC
4..	522 676702....	1	.... STOP, CLUTCH	18..	539 102582....	1	.... NUT 7/16-14 HEX WHIZ LK
5..	525 750301....	1	.... MUFFLER	19..	539 103153....	1	.... NUT M8X1.25 NYLOC
6..	539 119680....	1	.... ADAPTOR, OIL DRAIN	20..	539 912222....	2	.... CLAMP, HOSE
7..	522 837001....	1	.... PLUG, DRAIN, 3/8 NPTF	21..	539 125626....	1	.... WASHER, BLADE
8..	539 932956....	1	.... FUEL LINE 10"	22..	539 102593....	4	.... WASHER 3/8 SPRING
9..	539 118911....	1	.... PIPE 3/8 NPT x 3"	23..	539 990247....	1	.... WASHER 7/16 SLW
10..	539 105072....	1	.... ELBOW 90°	24..	539 109618....	1	.... O-RING
11..	525 749901....	1	.... KEY 1/4 SQ x 3 1/2	25..	505 280001....	1	.... TIE WRAP w/ CLIP
12..	539 990208....	3	.... RHSNB 5/16-18 x 1	NOT SHOWN			
13..	574 233801....	4	.... HHFS 5/16-18 x 2 1/4 HEX FLG	525	554201....	1	.... ENGINE HARNESS, KAW
14..	539 100141....	1	.... HCS 7/16-20 x 1 1/2 HEX NYL	574	825801....	1	.... KIT, SPARK ARRESTOR

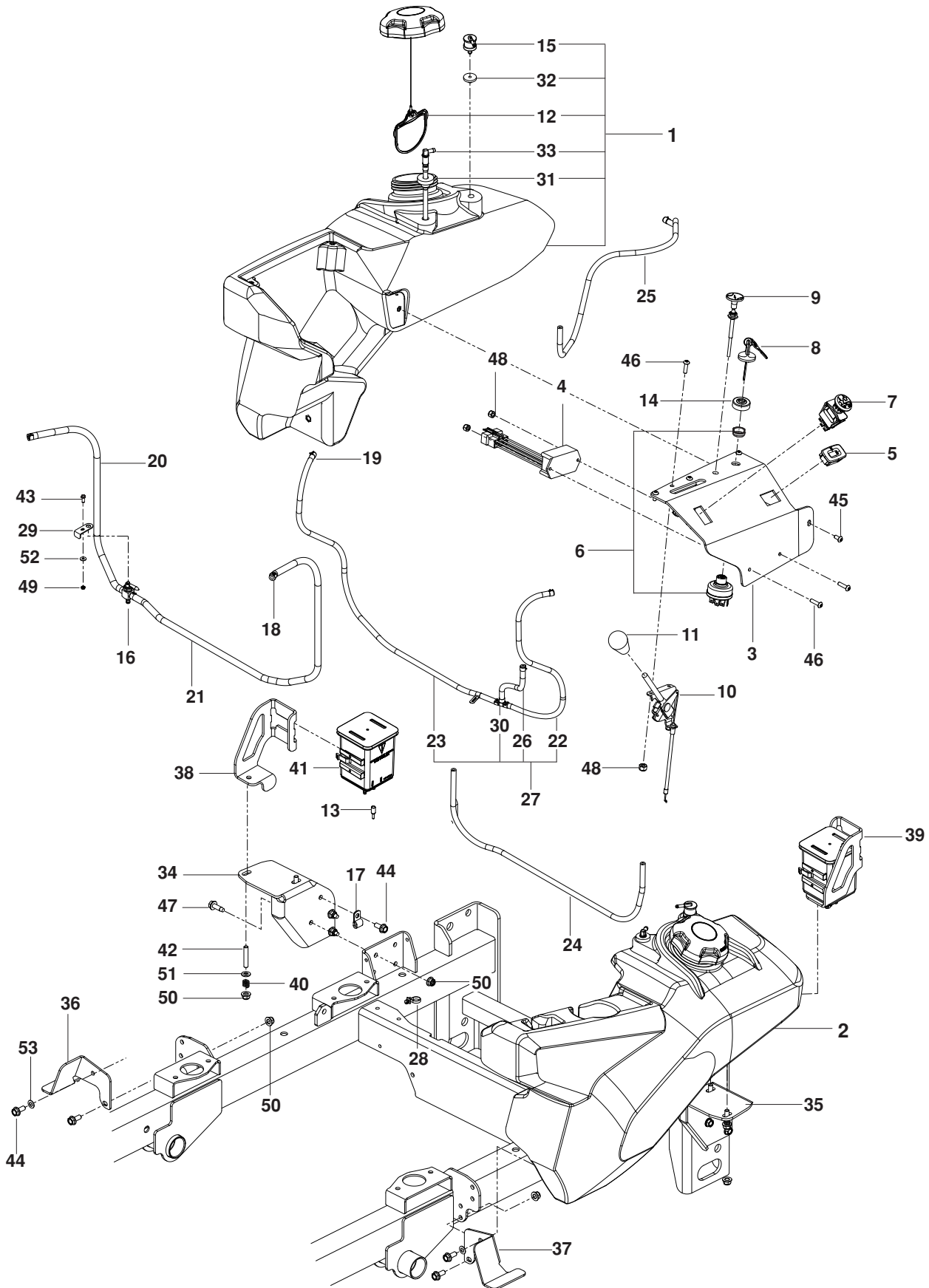


# STEERING

---

ITEM	PART NO.	QTY.	DESCRIPTION	ITEM	PART NO.	QTY.	DESCRIPTION
1..	577 327702....	1	....FRAME MOUNT ORG	34..	510 064001....	2	....J HOOK
2..	539 104763....	4	....RETAINER, U TYPE	35..	510 082101....	4	....MOUNT, ISO
3..	539 113792....	1	....SWITCH, BRAKE (3-POLE)	36..	525 448001....	2	....LINKAGE, SEAT STRUT RH
4..	516 020301....	2	....DAMPENER ASSY	37..	525 448002....	2	....LINKAGE, SEAT STRUT LH
5..	539 131518....	4	....BEARING, FLANGE	38..	539 109149....	2	....TURNBUCKLE
6..	577 251701....	2	....BRACKET, CONTROL	39..	539 105974....	1	....GROMMET
7..	539 109553....	2	....SWITCH N.C.	40..	539 976988....	4	....HAIRPIN COTTER
8..	574 269401....	2	....LEVER, MOTION	41..	574 822701....	6	....SCREW 10-24 x 3/4 SKT HD
9..	577 042403....	1	....LEVER w/ GRIP RT	42..	576 850402....	2	....SCREW 5/16-18 x 1 3/4 BTN HD
10..	577 042303....	1	....LEVER w/ GRIP LT	43..	525 612801....	4	....SCREW 3/8-16 x 1 HEX FLG
11..	576 140302....	2	....LEVER, CONTROL	44..	539 990627....	1	....BOLT 5/16-18 x 1 1/4 HEX TPBLT
12..	539 131749....	1	....ROD END, SPHERICAL	45..	525 866201....	4	....HHFS 3/8-16 x 2
13..	539 131799....	1	....KNOB	46..	525 464701....	20	....HHFS 5/16-18 x 3/4
14..	539 102845....	1	....SPRING	47..	539 101332....	2	....HHFS 1/2-13 x 2 3/4 HEX NYLOC
15..	539 020035....	1	....SPRING	48..	539 990074....	1	....RHSNB 1/4-20 x 3/4 GR2
16..	576 850301....	1	....SPRING	49..	539 990316....	4	....RHSNB 5/16-18 x 3/4
17..	577 252401....	2	....SPACER, PIVOT	50..	539 913847....	2	....RETAINER NUT 3/8
18..	511 594901....	1	....BUSHING 1/4 FLANGE	51..	539 127046....	1	....HEXNUT M8 x 1.25 STD
19..	574 235301....	1	....LOOM, SPLIT, 5/8	52..	539 102234....	1	....PUSH NUT 1/4
20..	522 718701....	1	....CABLE, POSITIVE	53..	539 990997....	2	....WINGNUT 1/4-20 NYLOC
21..	522 710701....	1	....CABLE, NEGATIVE	54..	539 108120....	4	....NUT 1/4-20 HEX THIN NYLOC
22..	539 102759....	2	....INSULATOR	55..	539 108010....	2	....NUT 1/2-13 HEX JAM NYLOC
23..	511 595001....	1	....LINK, SWITCH	56..	539 990717....	2	....NUT 5/16-18 HEX NYLOC
24..	539 110607....	2	....BALL STUD 10MM	57..	521 996501....	4	....NUT 3/8-16 HEX FLG NYLOC
25..	539 130894....	2	....GRIP, LEVER	58..	539 108732....	4	....NUT 3/8-24 HEX JAM
26..	578 811501....	2	....BUMPER	59..	539 112899..	12	....NUT 5/16-18 HEX FLG NYLOC
27..	539 102678....	1	....PLATE, TAPPED	60..	539 990187....	2	....WASHER 5/16 SLW
28..	577 265801....	2	....BRACKET, DAMPENER	61..	539 990188....	4	....WASHER 5/16 SAE FLAT
29..	525 447901....	1	....SEAT STRUT ASSY	62..	539 990122....	4	....WASHER 3/8 SAE FLT
30..	510 029902....	1	....BRACKET, BATTERY BLK	63..	539 111897....	4	....WASHER 3/8 SPECIAL
31..	539 102436....	1	....BATTERY	64..	539 976977....	2	....NUT 10-24 HEX NYLOC
32..	510 030001....	1	....BRACKET, BATTERY MOUNT				NOT SHOWN
33..	577 251801....	2	....BLOCK, TRACKING		510 093601....	1	....HARNES, WIRING

# IGNITION / FUEL



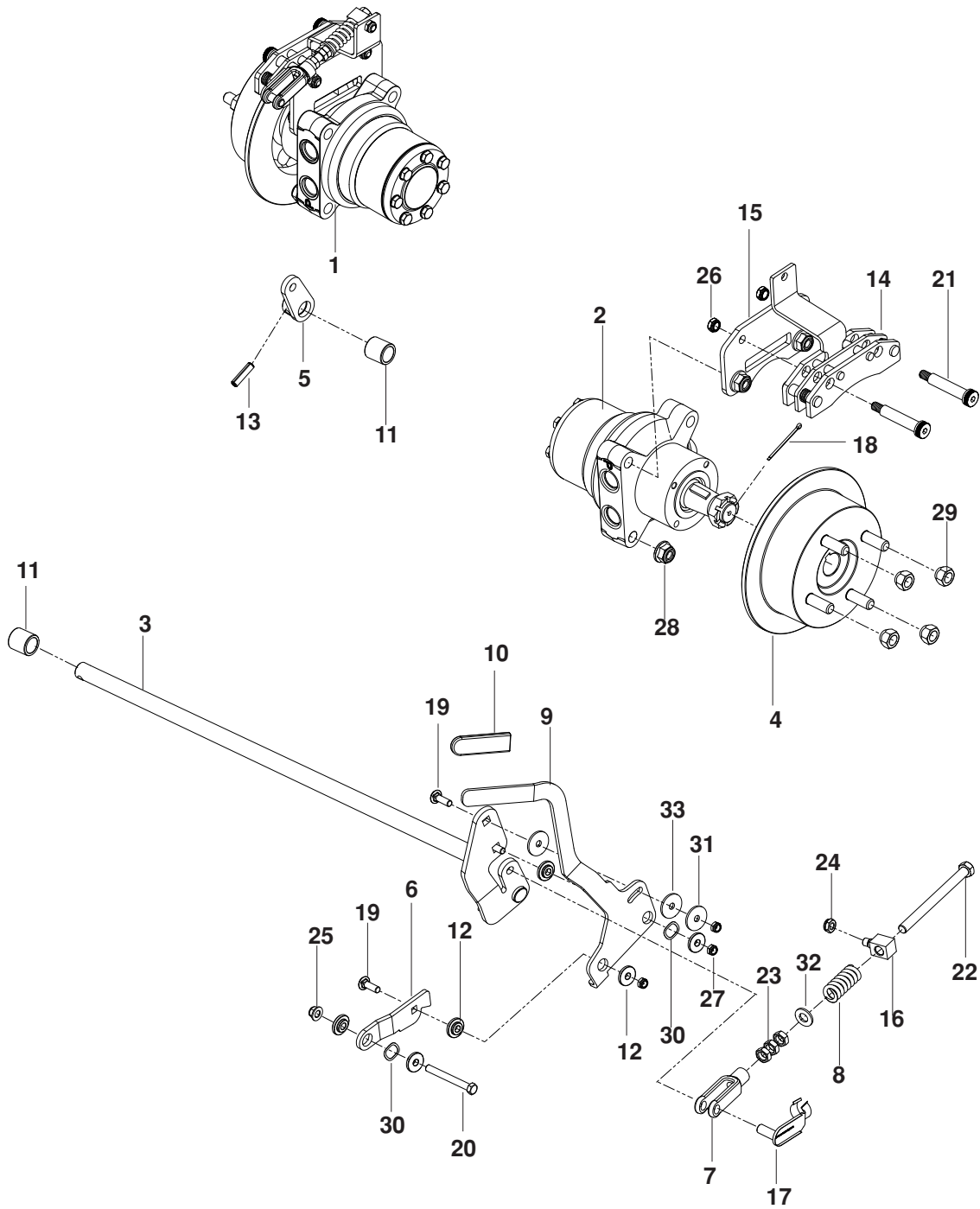


## IGNITION / FUEL

---

ITEM	PART NO.	QTY.	DESCRIPTION	ITEM	PART NO.	QTY.	DESCRIPTION
1..	576 369202....	1	TANK ASSY, RT	28..	505 280001....	2	TIE WRAP w/ CLIP
2..	576 369102....	1	TANK ASSY, LT	29..	577 104002....	1	BRACKET, VALVE
3..	529 280202....	1	PANEL, CONTROL	30..	574 206602....	1	TEE <sup>3</sup> / <sub>16</sub> FUEL LINE
4..	574 514001....	1	TIMER, SEAT	31..	539 105245....	2	GROMMET, RUBBER
5..	576 179401....	1	HOUR METER	32..	576 618201....	2	GROMMET, CHECK VALVE
6..	574 455401....	1	SWITCH, IGNITION	33..	525 865401....	2	FITTING, FUEL
7..	539 131627....	1	SWITCH, PTO 10 AMP	34..	529 279603....	1	MOUNT, TANK RT RR
8..	574 455501....	1	KEY, IGNITION	35..	529 279703....	1	MOUNT, TANK LT RR
9..	574 206901....	1	CABLE, CHOKE	36..	529 279903....	1	MOUNT, TANK RT FRT
10..	574 207001....	1	CABLE, THROTTLE	37..	529 280003....	1	MOUNT, TANK LT FRT
11..	539 132624....	1	KNOB	38..	576 927001....	1	MOUNT, CANISTER RT
12..	575 018101....	2	CAP w/ TETHER, FUEL	39..	576 926901....	1	MOUNT, CANISTER LT
13..	576 978701....	1	CAP, VINYL	40..	539 102845....	4	SPRING, TANK MOUNT
14..	539 103178....	1	CAP, IGNITION SWITCH	41..	532 414114....	2	CANISTER, CARBON
15..	576 618101....	2	VALVE, FUEL CHECK	42..	539 102502....	4	STUD, FUEL TANK
16..	539 102679....	1	VALVE, FUEL	43..	539 990580....	1	HCS <sup>1</sup> / <sub>4</sub> -20 x <sup>3</sup> / <sub>4</sub>
17..	539 109867....	1	CLAMP, DOUBLE TUBE	44..	525 464701....	7	HHFS <sup>5</sup> / <sub>16</sub> -18 x <sup>3</sup> / <sub>4</sub> HEX FLG
18..	539 912222....	4	CLAMP, HOSE	45..	539 114341....	3	SCREW 10-24 x <sup>3</sup> / <sub>8</sub> SCKT HD
19..	575 436501....	6	CLAMP, HOSE	46..	574 822701....	4	SCREW 10-24 x <sup>3</sup> / <sub>4</sub> SCKT HD
20..	577 103901....	3	LINE 22" FUEL	47..	539 113226....	6	BOLT <sup>5</sup> / <sub>16</sub> -18 x 1 THD FRM
21..	577 103902....	1	LINE 38" FUEL	48..	539 976977....	4	NUT 10-24 HEX NYLOC
22..	576 660603....	1	HOSE <sup>3</sup> / <sub>16</sub> 21"	49..	539 108120....	1	NUT <sup>1</sup> / <sub>4</sub> -20 HEX THIN NYLOC
23..	576 660601....	1	HOSE <sup>3</sup> / <sub>16</sub> 39"	50..	539 112899..	13	NUT <sup>5</sup> / <sub>16</sub> -18 HEX FLG NYLOC
24..	576 660604....	1	HOSE <sup>3</sup> / <sub>16</sub> 30"	51..	539 990188....	4	WASHER <sup>5</sup> / <sub>16</sub> SAE FLAT
25..	575 437802....	1	HOSE <sup>3</sup> / <sub>16</sub> 33"	52..	539 990598....	1	WASHER <sup>1</sup> / <sub>4</sub> FLAT
26..	576 660610....	1	HOSE <sup>3</sup> / <sub>16</sub> 7 <sup>1</sup> / <sub>2</sub> "	53..	539 109600....	4	WASHER <sup>5</sup> / <sub>16</sub> DISC SPRING
27..	576 979001....	1	VAPOR LINE ASSY				

# PARKING BRAKE

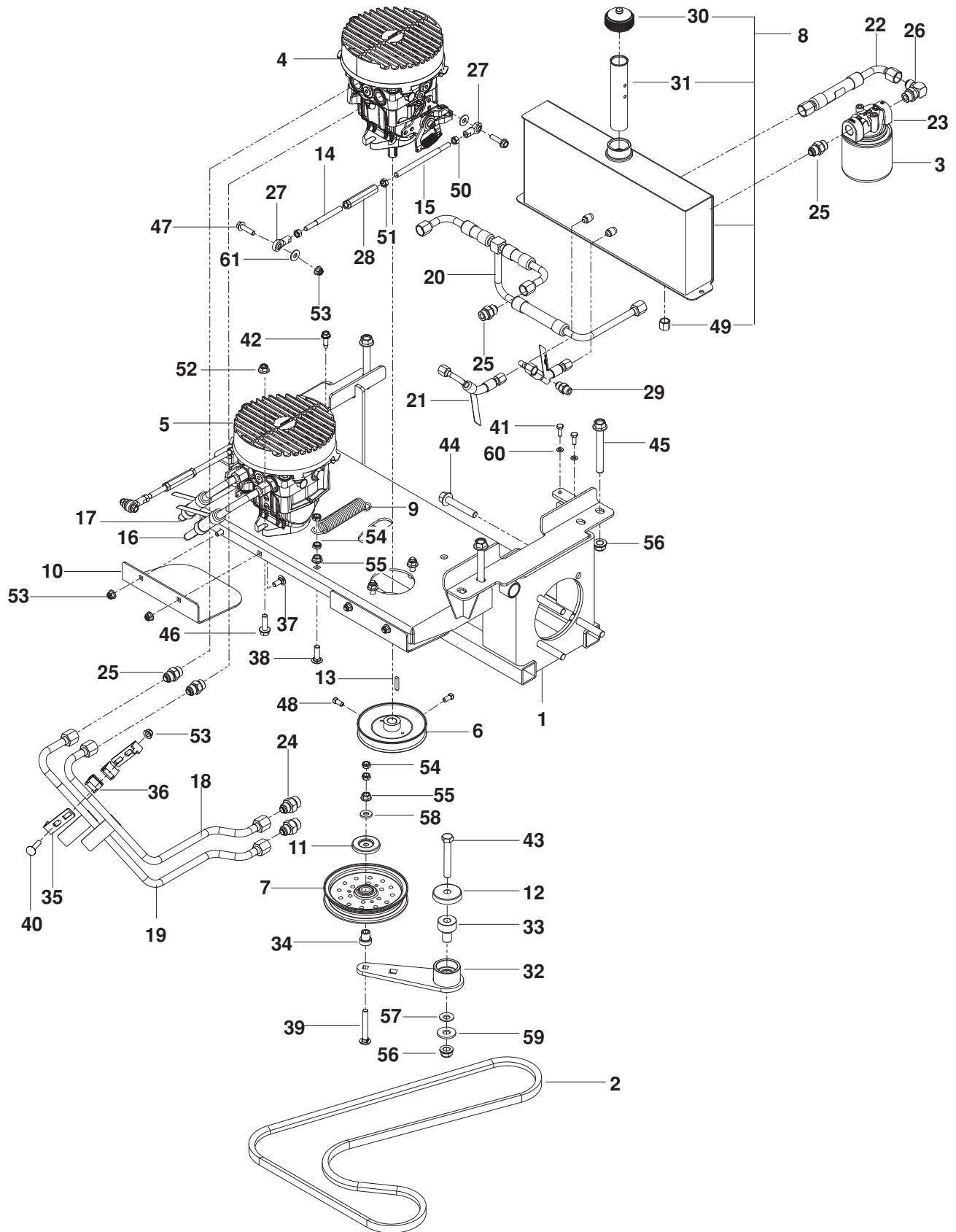


# PARKING BRAKE

---

ITEM	PART NO.	QTY.	DESCRIPTION	ITEM	PART NO.	QTY.	DESCRIPTION
1..	574 805202....	1	MOTOR, RT	18..	539 102889....	2	COTTER PIN 1/8 x 2
2..	574 805201....	1	MOTOR, LT	19..	539 100413....	3	RHSNB 3/8-16 x 1 1/4
3..	525 851201....	1	SHAFT, BRAKE	20..	539 923463....	1	HCS 3/8-16 x 3 1/4
4..	525 848701....	2	HUB, DISC BRAKE w/ STUDS	21..	516 035501....	4	BOLT 1/2 x 2 1/4, 3/8-16 SHLDR
5..	510 025901....	1	ARM, RT BRAKE	22..	539 104984....	1	HCS 3/8-24 x 4 1/2 HEX NYL
6..	515 980301....	1	LINK, FOLLOWER	23..	539 108732....	3	NUT 3/8-24 HEX JAM
7..	539 977465....	1	YOKE	24..	539 115617....	1	NUT 5/16-18 HEX NYLOC INS
8..	539 113952....	1	SPRING	25..	521 996501....	1	NUT 3/8-16 HEX FLG NYLOC
9..	515 980002....	1	LEVER, BRAKE	26..	539 200282....	6	NUT 3/8-16 HEX JAM NYLOC
10..	539 976526....	1	GRIP, LEVER	27..	539 200282....	3	NUT 3/8-16 HEX JAM NYLOC
11..	510 089201....	2	BUSHING 3/4 x 1 SLEEVE	28..	521 991101....	8	NUT 1/2-13 HEX FLG NYLOC
12..	539 132161....	6	BUSHING, BRAKE	29..	539 101173....	8	NUT 1/2 LUG
13..	539 110631....	1	ROLL PIN 5/16" DIA.	30..	539 133007....	2	WASHER, WAVE
14..	539 133047....	2	CALIPER	31..	539 912063....	1	WASHER, CONE
15..	525 851601....	2	PLATE, CALIPER	32..	539 990122....	1	WASHER 3/8 SAE FLT
16..	525 851401....	1	SWIVEL, BRAKE	33..	525 490901....	2	WASHER, FRICTION
17..	522 705901....	1	PIN 3/8 CLEVIS SPRING				

# HYDRAULIC PUMP-MOTOR

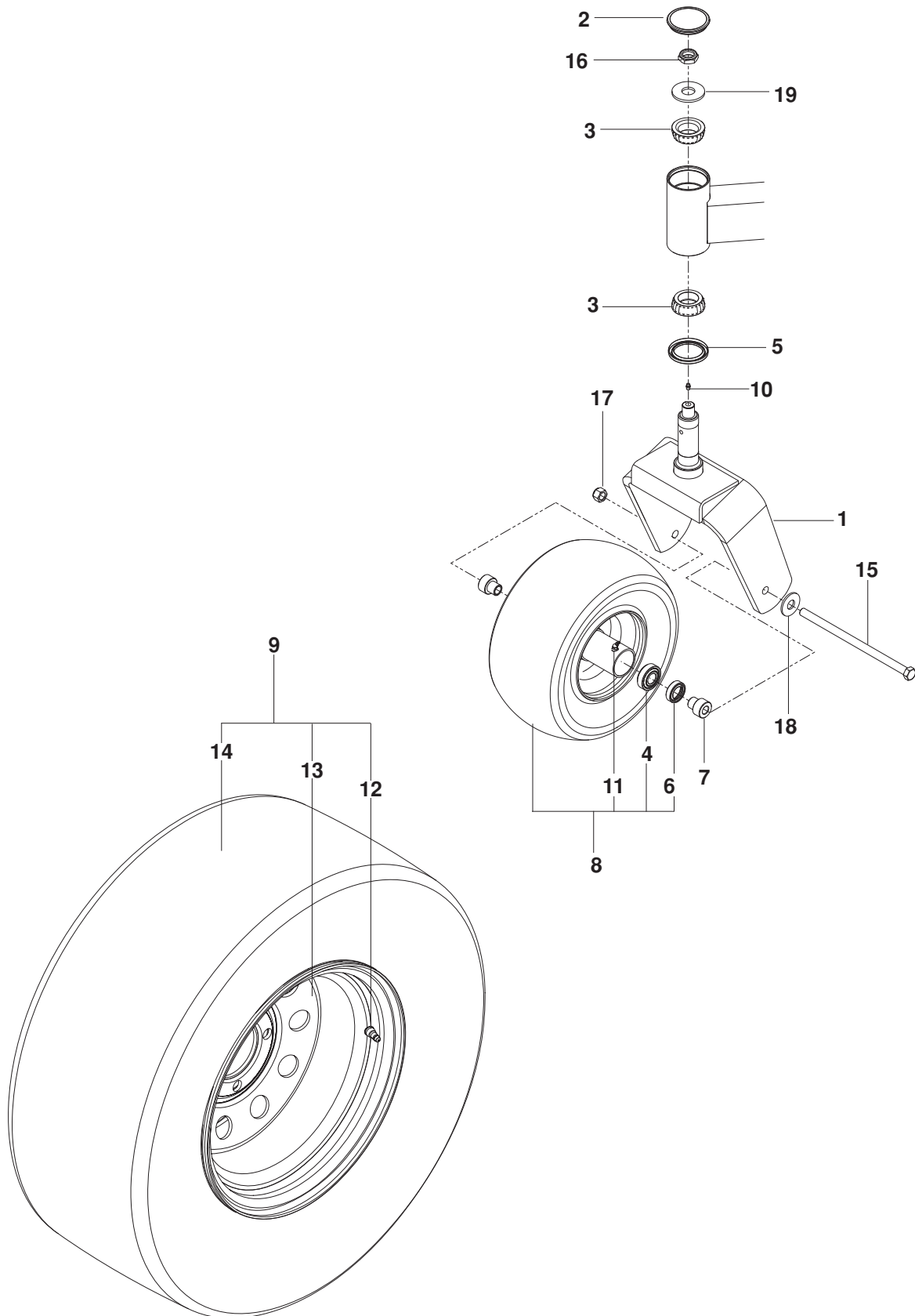


# HYDRAULIC PUMP-MOTOR

---

ITEM	PART NO.	QTY.	DESCRIPTION	ITEM	PART NO.	QTY.	DESCRIPTION
1..	506 007902....	1	.... FRAME, SUB	33..	510 206301....	1	.... PIVOT, BEARING
2..	573 978301....	1	.... BELT	34..	525 435601....	1	.... PIVOT, IDLER
3..	522 805401....	1	.... FILTER, 25 MICRON	35..	576 573701....	4	.... BRACKET, CLAMP
4..	506 120401....	1	.... PUMP, 16CC RT	36..	576 577601....	4	.... RUBBER ½ VIBRATION
5..	506 120501....	1	.... PUMP, 16CC LT	37..	539 990316....	4	.... RHSNB 5/16-18 x ¾
6..	510 019002....	2	.... PULLEY, PUMP, 17MM	38..	539 100413....	1	.... RHSNB 3/8-16 x 1¼
7..	510 283702....	1	.... PULLEY, IDLER	39..	539 130235....	1	.... RHSNB 3/8-16 x 2¾
8..	576 035902....	1	.... OIL TANK ASSY	40..	539 102933....	2	.... RHSNB 5/16-18 x 1½
9..	577 437201....	1	.... SPRING, PUMP	41..	539 990072....	2	.... HCS ¼-20 x 5/8
10..	574 398502....	2	.... SHIELD, PULLEY	42..	539 113226....	2	.... BOLT 5/16-18 x 1 THD FRM
11..	510 254501....	1	.... SHIELD, DUST	43..	539 103433....	1	.... HCS ½-13 x 3¼ HEX NYLOC
12..	539 114662....	1	.... SHIELD, DUST	44..	539 101332....	8	.... HCS ½-13 x 2¾ HEX NYLOC
13..	539 101177....	2	.... KEY, METRIC	45..	525 544801....	4	.... HHFS ½-13 x 4 HEX FLG
14..	522 559201....	2	.... LINKAGE, CONTROL, FT	46..	525 834201....	4	.... HHFS 3/8-16 x 1¼ HEX FLG
15..	522 842801....	2	.... LINKAGE, CONTROL, RR	47..	525 544001....	4	.... HHFS 5/16-18 x 1¼ TPBLT
16..	510 013601....	1	.... LINE, HYDRAULIC, RT-A	48..	539 102717....	4	.... SCREW 5/16-18 x 5/8 SET
17..	510 013701....	1	.... LINE, HYDRAULIC, RT-B	49..	539 105168....	1	.... CAPNUT
18..	510 013801....	1	.... LINE, HYDRAULIC, LT-A	50..	539 990223....	4	.... NUT 5/16-24 HEX
19..	510 013901....	1	.... LINE, HYDRAULIC, LT-B	51..	539 108732....	2	.... NUT 3/8-24 HEX JAM
20..	510 014001....	1	.... LINE, HYDRAULIC, CHARGE	52..	521 996501....	4	.... NUT 3/8-16 HEX FLG NYLOC
21..	510 014501....	2	.... LINE, HYDRAULIC, CASE	53..	539 112899..	10	.... NUT 5/16-18 HEX FLG NYLOC
22..	510 010701....	1	.... LINE, HYDRAULIC, SUCTION	54..	539 200282....	8	.... NUT 3/8-16 HEX JAM NYLOC
23..	575 872301....	1	.... FILTER HEAD	55..	539 990613....	2	.... NUT 3/8-16 HEX WHIZLK
24..	539 101239....	4	.... STRAIGHT CONNECTOR	56..	521 991101....	5	.... NUT ½-13 HEX FLG NYLOC
25..	539 101237....	7	.... STRAIGHT CONNECTOR	57..	539 115528....	1	.... WASHER ½" BELLEVILLE
26..	539 101242....	1	.... ELBOW 90° ADJ	58..	522 023401....	1	.... WASHER 3/8 THICK
27..	539 102590....	4	.... BALL END, RT	59..	539 109554....	1	.... WASHER ½ FLAT
28..	539 109149....	2	.... TURNBUCKLE 3/8	60..	539 990052....	2	.... WASHER ¼ SPLTLK
29..	539 103316....	2	.... CONNECTOR	61..	539 990692....	4	.... WASHER 5/16 STD FLT
30..	522 805301....	1	.... CAP, HYDRAULIC	NOT SHOWN			
31..	522 805001....	1	.... TUBE, ANTI-SPLASH	539 104763....	2	.... RETAINER, U TYPE	
32..	510 041603....	1	.... ARM, IDLER w/ BEARINGS				

# WHEELS / TIRES

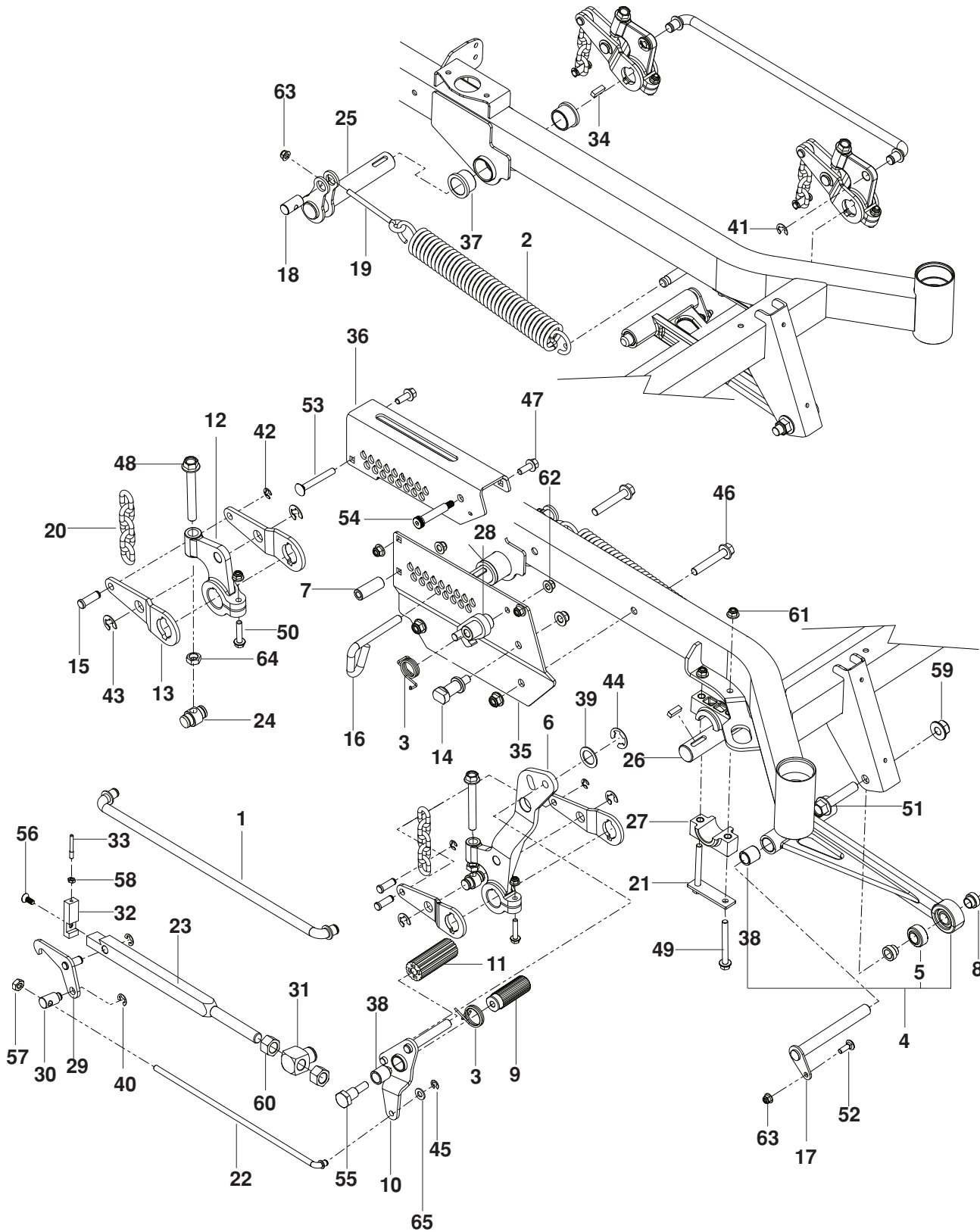


# WHEELS / TIRES

---

ITEM	PART NO.	QTY.	DESCRIPTION	ITEM	PART NO.	QTY.	DESCRIPTION
1..	525 611902....2	....	FORK, CASTER ORG	12..	539 912234....2	....	STEM, VALVE
2..	510 034001....2	....	CAP, DUST	13..	510 154502....2	....	RIM 12 x 1.75 NEG OFFSET
3..	510 034401....4	....	BEARING, TAPERED	14..	539 105152....2	....	TIRE 24 x 12 4 PLY
4..	539 105525....2	....	BEARING (CUP AND CONE)	15..	539 105517....2	....	BOLT ½-13 x 9½ HEX NYLOC
5..	510 034301....2	....	SEAL, BEARING	16..	522 842601....2	....	NUT ¾-16 HEX THIN NYLOC
6..	539 105524....2	....	SEAL, CASTER TIRE	17..	521 991101....2	....	NUT ½-13 HEX FLG NYLOC
7..	539 105518....4	....	SPACER, AXLE	18..	539 990250....2	....	WASHER ½ SAE
8..	510 154601....2	....	TIRE ASSY 13 x 6.5, FLT FREE	19..	574 824701....2	....	WASHER ¾ HARDENED
9..	510 154501....2	....	TIRE ASSY 24 x 12	NOT SHOWN			
10..	539 101474....2	....	ZERK	539 105521....2	....	TIRE ASSY 13 x 6.5 PNEU	
11..	539 103300....2	....	ZERK			(optional)	

# MOWER LIFT / DECK LIFT

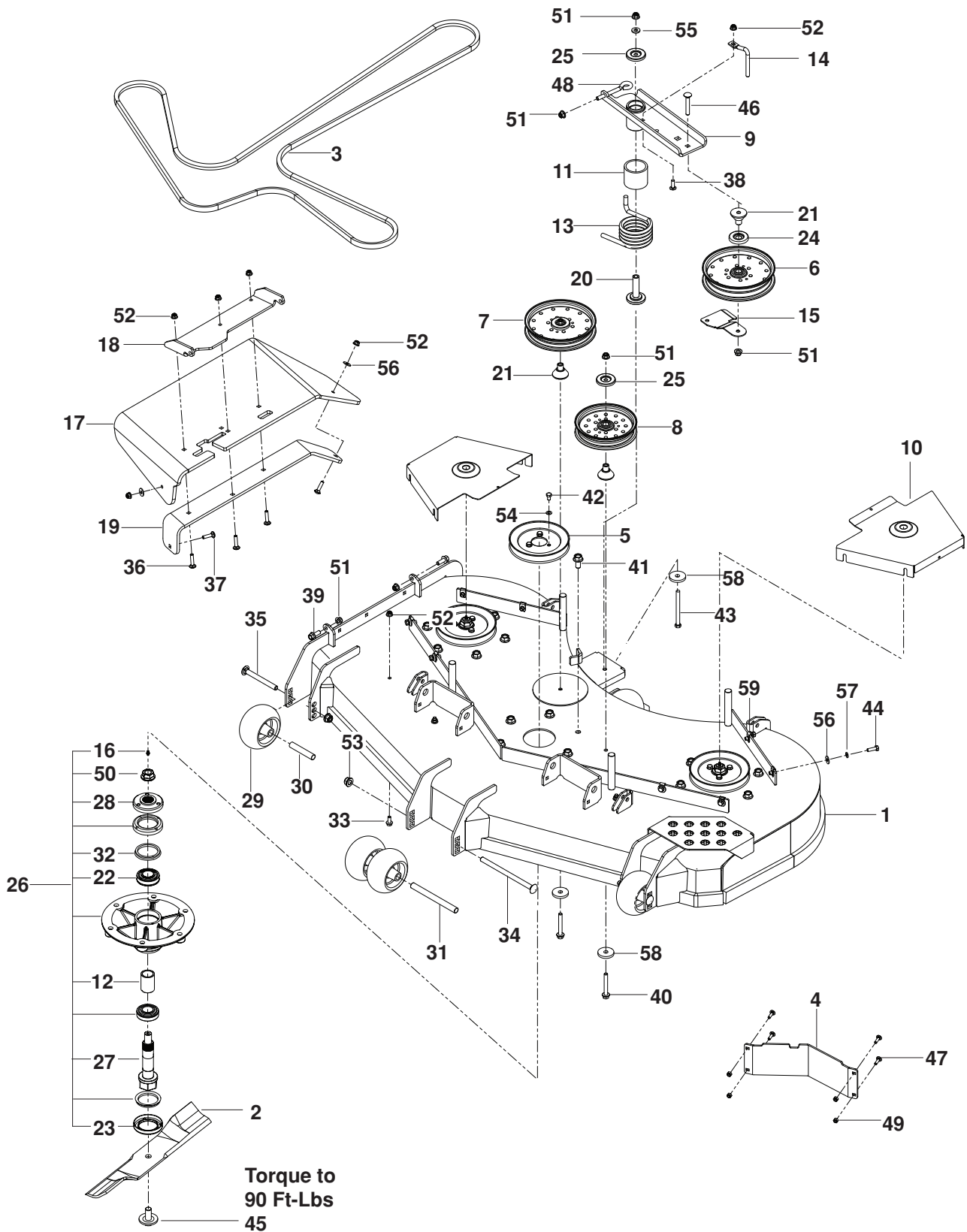




# MOWER LIFT / DECK LIFT

ITEM	PART NO.	QTY.	DESCRIPTION	ITEM	PART NO.	QTY.	DESCRIPTION
1..	510 089801....2	....	ROD, LIFT	34..	525 822501....4	....	KEY $\frac{5}{16}$ SQ x 1
2..	510 029201....2	....	SPRING, EXTENSION	35..	510 408502....1	....	PLATE, INNER HEIGHT
3..	510 376701....1	....	SPRING, TORSION	36..	510 408602....1	....	PLATE, OUTER HEIGHT
4..	510 106501....2	....	STRUT ASSY	37..	510 089401....4	....	BUSHING $1\frac{1}{4}$ ID FLANGED
5..	510 083801....1	....	BALLJOINT $\frac{3}{4}$ SWIVEL	38..	510 089201....3	....	BUSHING $\frac{3}{4}$ x 1 SLEEVE
6..	510 022502....1	....	LEVER, DECK LIFT	39..	539 916561....1	....	BUSHING 1" x 14 GA
7..	510 408401....1	....	SPACER, HEIGHT PLATE	40..	539 101949....2	....	E-RING $\frac{1}{2}$ "
8..	510 362501....4	....	SPACER, STRUT	41..	539 105069....4	....	E-RING $\frac{5}{8}$
9..	510 408301....1	....	PEDAL, DECK HEIGHT	42..	522 705201....4	....	E-RING $\frac{7}{16}$ "
10..	510 407801....1	....	PEDAL, RELEASE	43..	539 102454....3	....	E-RING $\frac{3}{4}$ "
11..	510 089501....1	....	PAD, FOOT PEDAL	44..	539 912730....1	....	E-RING 1"
12..	510 022501....1	....	ARM, CAST LIFT	45..	539 990870....1	....	E-RING $\frac{3}{8}$ "
13..	510 410002....4	....	ARM, LIFT	46..	525 828901....2	....	HHFS $\frac{1}{2}$ -13 x 3 HEX FLG
14..	510 406701....1	....	GUIDE, HEIGHT BAR	47..	525 612801....2	....	HHFS $\frac{3}{8}$ -16 x 1 HEX FLG
15..	510 090101....8	....	PIN $\frac{7}{16}$ CLEVIS	48..	525 465701....4	....	HHFS $\frac{1}{2}$ -13 x 4 HEX TPBLT
16..	510 016501....1	....	PIN, HEIGHT	49..	525 822101....4	....	HHFS $\frac{3}{8}$ -16 x $3\frac{1}{2}$ HEX FLG
17..	515 988201....2	....	PIN, STRUT	50..	525 465401....1	....	HHFS $\frac{5}{16}$ -18 x $1\frac{1}{2}$ HEX FLG
18..	510 412301....2	....	PIVOT, SPRING	51..	525 829001....2	....	HHFS $\frac{5}{8}$ -11 x 3 HEX FLG
19..	539 120993....2	....	EYEBOLT $4\frac{1}{2}$	52..	539 990208....2	....	RHSNB $\frac{5}{16}$ -18 x 1
20..	539 102641....4	....	CHAIN, LIFT	53..	539 122728....1	....	RHSNB $\frac{3}{8}$ -16 x 3 GR2
21..	525 822201....2	....	PLATE, PILLOW BLOCK	54..	516 035501....1	....	BOLT $\frac{1}{2}$ x $2\frac{1}{4}$ , $\frac{3}{8}$ -16 SHLDR
22..	510 407601....1	....	ROD, HEIGHT LATCH	55..	510 408201....1	....	BOLT, SHOULDER
23..	510 406301....1	....	BAR, HEIGHT	56..	522 705601....1	....	SCREW $\frac{5}{16}$ -18 x $\frac{3}{4}$ HEX SCKT
24..	510 023601....4	....	TRUNION, LIFT SHAFT	57..	539 108732....1	....	NUT $\frac{3}{8}$ -24 HEX JAM
25..	510 410703....2	....	SHAFT, LIFT RR	58..	539 991112....1	....	NUT $\frac{1}{4}$ -20 JAM
26..	510 409602....1	....	SHAFT, LIFT FRT	59..	525 829101....2	....	NUT $\frac{5}{8}$ -11 FLG NYLOC
27..	510 023902....4	....	BLOCK, PILLOW	60..	539 108677....2	....	NUT $\frac{3}{4}$ -10 HEX
28..	510 406801....1	....	LATCH, TRANSPORT	61..	521 996501....4	....	NUT $\frac{3}{8}$ -16 HEX FLG NYLOC
29..	510 407201....1	....	LATCH, HEIGHT	62..	521 991101....3	....	NUT $\frac{1}{2}$ -13 HEX FLG NYLOC
30..	510 407501....1	....	SWIVEL, HEIGHT LATCH	63..	539 112899....8	....	NUT $\frac{5}{16}$ -18 HEX FLG NYLOC
31..	510 406401....1	....	SWIVEL, HEIGHT BAR	64..	539 990625....4	....	NUT $\frac{1}{2}$ -13 HEX JAM
32..	510 406501....1	....	CAP, HEIGHT BAR	65..	539 990122....1	....	WASHER $\frac{3}{8}$ SAE FLT
33..	510 406601....1	....	LINK, INDICATOR				

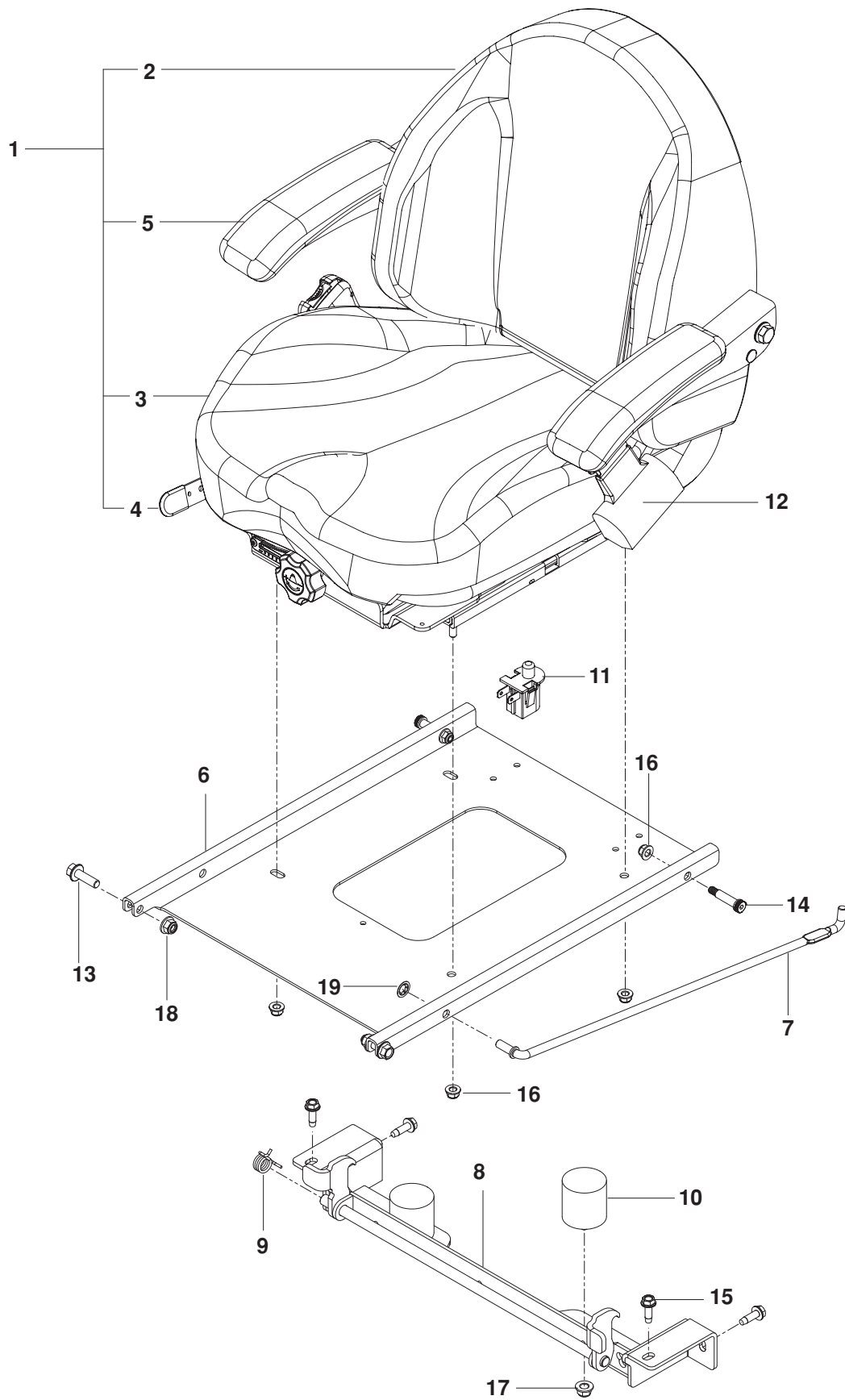
# MOWING DECK / CUTTING DECK



# MOWING DECK / CUTTING DECK

ITEM	PART NO.	QTY.	DESCRIPTION	ITEM	PART NO.	QTY.	DESCRIPTION
1..	574 497201....	1	.... DECK w/ SAFETY DECALS	33..	525 464701....	3	.... HHFS 5/16-18 x 3/4 HEX FLG
2..	539 105711....	3	.... BLADE, 21"	34..	510 022401....	1	.... RHSNB 1/2-13 x 8
3..	522 829601....	1	.... BELT, DECK	35..	510 022301....	3	.... RHSNB 1/2-13 x 4 3/4
4..	510 437502....	1	.... BAFFLE, FLOW DIVERTER	36..	539 102933....	3	.... RHSNB 5/16-18 x 1 1/2
5..	539 130646....	3	.... PULLEY	37..	539 100472....	2	.... RHSNB 5/16-18 x 1 1/4
6..	510 015101....	1	.... PULLEY, IDLER 7" WIDE	38..	539 107271....	1	.... RHSNB 5/16-18 x 1
7..	525 598201....	1	.... PULLEY, IDLER 7" NARROW	39..	525 612801....	2	.... HHFS 3/8-16 x 1 HEX FLG
8..	510 019601....	1	.... PULLEY, IDLER, 6"	40..	539 131781....	2	.... HHFS 3/8-16 x 2 3/4 HEX FLG
9..	574 722201....	1	.... ARM, IDLER w/ BRGS, SPACR	41..	574 210601....	18	.... HHFS 1/2-13 x 1 HEX FLG
10..	510 131202....	2	.... SHIELD, BELT	42..	539 130315....	9	.... HCS 5/16-18 x 1 1/2 HEX NYLOC
11..	525 465601....	1	.... SPACER, IDLER PIVOT	43..	539 101686....	1	.... HCS 3/8-16 x 4 1/2 HEX GR 8
12..	539 130641....	3	.... SPACER	44..	539 990209....	8	.... HCS 5/16-18 x 1 HEX HD
13..	525 310901....	1	.... SPRING, TORSION	45..	539 119007....	3	.... BLADE BOLT
14..	574 262201....	1	.... KEEPER, BELT	46..	539 128101....	1	.... BOLT 3/8-16 x 2 1/2 CARRIAGE
15..	574 262102....	1	.... GUIDE, BELT	47..	539 115620....	4	.... BOLT 1/4-20 x 3/4 CARRIAGE
16..	539 976998....	3	.... ZERK	48..	574 202001....	1	.... EYEBOLT 3/8 x 4
17..	525 485801....	1	.... CHUTE, DISCHARGE	49..	539 976978....	4	.... NUT 1/4-20 HEX NYLOC
18..	574 197002....	1	.... BRACKET, CHUTE PIVOT	50..	539 130653....	3	.... NUT 3/4-16 FLG
19..	525 486002....	1	.... SUPPORT, CHUTE BRACKET	51..	521 996501....	4	.... NUT 3/8-16 HEX FLG NYLOC
20..	522 729701....	1	.... PIVOT, IDLER BEARING	52..	539 112899....	9	.... NUT 5/16-18 HEX FLG NYLOC
21..	510 263701....	3	.... BEARING, IDLER ARM	53..	521 991101....	4	.... NUT 1/2-13 HEX FLG NYLOC
22..	539 130638....	6	.... BEARING	54..	539 109600....	9	.... WASHER 5/16 DISC SPRING
23..	539 130643....	6	.... CUP, DEBRIS	55..	522 023401....	1	.... WASHER 3/8 THICK
24..	510 262201....	1	.... SHIELD, DUST	56..	539 990692....	10	.... WASHER 5/16 STD FLT
25..	510 254501....	2	.... SHIELD, DUST	57..	539 990187....	8	.... WASHER 5/16 SLW
26..	525 836401....	3	.... SPINDLE ASSY	58..	539 106504....	3	.... WASHER, HEAVY
27..	525 836001....	3	.... SHAFT, SPINDLE	59..	539 104763....	8	.... RETAINER, U TYPE
28..	539 130637....	3	.... HUB	NOT SHOWN - OPTIONAL			
29..	574 169601....	5	.... ROLLER, GAUGE	522 829301....	3	.... BLADE, HIGH LIFT 21"	
30..	574 196401....	2	.... TUBE, ROLLER AXLE	574 481301....	3	.... BLADE, LOW LIFT 21"	
31..	574 196501....	1	.... TUBE, ROLLER AXLE LONG	522 936601....	3	.... BLADE, GATOR 21"	
32..	539 130639....	6	.... V-RING	539 109755....	3	.... BLADE, WAVY REV LIFT 21"	

# SEAT

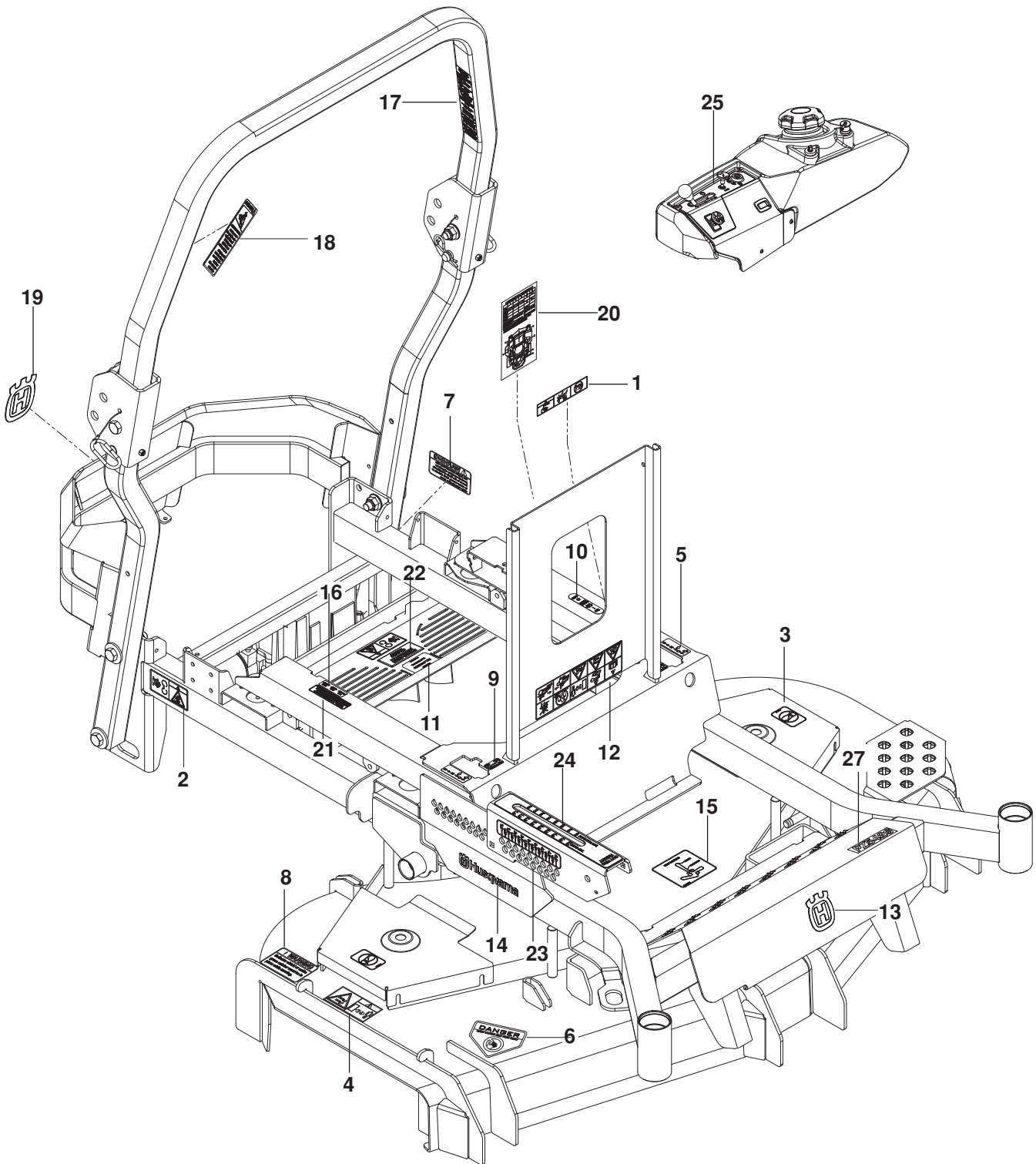


# SEAT

---

ITEM	PART NO.	QTY.	DESCRIPTION	ITEM	PART NO.	QTY.	DESCRIPTION
1..	574 284601....	1 ....	SEAT ASSY	11..	510 283801....	2 ....	BUMPER, RUBBER
2..	574 284602....	1 ....	COVER, BACK	12..	539 119741....	1 ....	SWITCH, SEAT
3..	574 284603....	1 ....	COVER KIT, CUSHION	13..	539 130359....	1 ....	SEAT BELT
4..	574 284604....	1 ....	TRACK KIT	14..	525 834201....	2 ....	HHFS $\frac{3}{8}$ -16 x $1\frac{1}{4}$ HEX FLG
5..	574 284606....	1 ....	ARMREST, RT	15..	515 990601....	2 ....	BOLT $\frac{3}{8}$ x $1\frac{1}{4}$ $\frac{5}{16}$ -18 SHLDR
6..	574 284605....	1 ....	ARMREST, LT	16..	539 113226....	4 ....	BOLT $\frac{5}{16}$ -18 x 1 THD FRM
7..	510 039302....	1 ....	PAN, SEAT	17..	539 112899....	6 ....	NUT $\frac{5}{16}$ -18 HEX FLG NYLOC
8..	510 064101....	1 ....	ROD, SEAT	18..	521 996501....	2 ....	NUT $\frac{3}{8}$ -16 HEX FLG NYLOC
9..	574 182202....	1 ....	LATCH, SEAT	19..	521 996501....	2 ....	NUT $\frac{3}{8}$ -16 HEX FLG NYLOC
10..	520 283101....	1 ....	SPRING, TORSION	20..	539 913847....	2 ....	RETAINER $\frac{3}{8}$ NUT

# DECALS



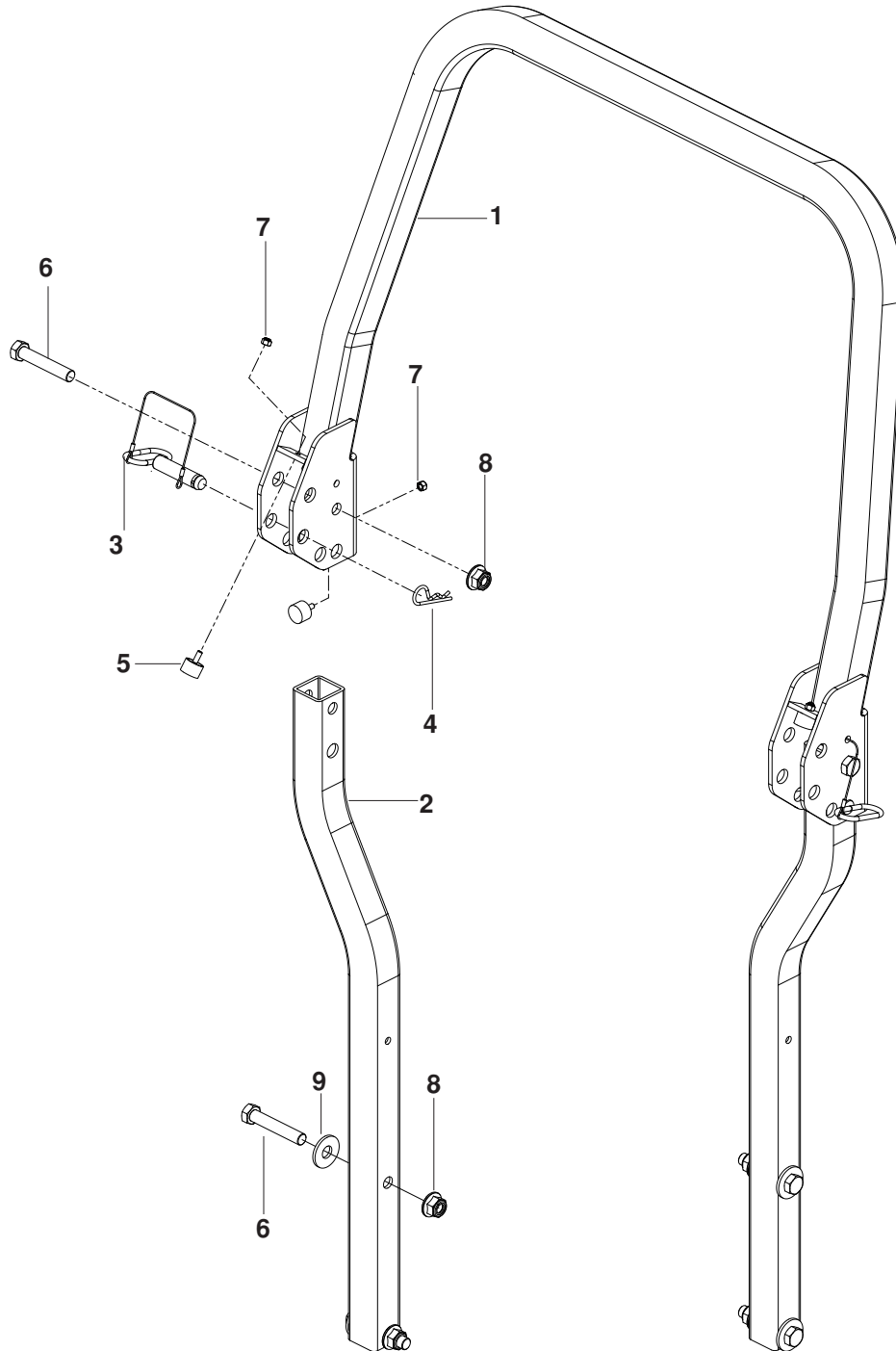
# DECALS

---

ITEM	PART NO.	QTY.	DESCRIPTION	ITEM	PART NO.	QTY.	DESCRIPTION
1..	539 105745....	1	....DECAL, BATTERY WARNING	14..	532 429196....	2	.... EMBLEM, HUSQVARNA
2..	539 105744....	2	....DECAL, BELT DRIVE WARN	15..	574 437301....	1	....DECAL, BELT ROUTE
3..	539 105743....	2	....DECAL, NO STEP	16..	574 569401....	1	....DECAL, FUSE
4..	539 105746....	1	....DECAL, SEVERING	17..	574 569006....	1	....DECAL, ROPS
5..	539 103333....	2	....DECAL, MOTION CONTROL	18..	574 569002....	1	....DECAL, ROPS WARNING
6..	539 913010....	1	....DECAL, BLADE WARNING	19..	574 455001....	1	.... EMBLEM, CROWN H LRG
7..	539 101881....	1	....DECAL, EXHAUST	20..	574 825901....	1	....DECAL, SERVICE
8..	539 113224....	1	....DECAL, DEFLECTOR	21..	532 424102....	1	....DECAL, SPARK ARRESTOR
9..	539 110974....	2	....DECAL, TRACKING	22..	574 815502....	1	....DECAL, HYDRO GEAR
10..	539 120006....	1	....DECAL, PARK BRAKE	23..	525 349701....	1	....DECAL, HEIGHT
11..	539 114832....	1	....DECAL, OIL TANK	24..	516 138101....	1	....DECAL, HEIGHT
12..	539 107959....	1	....DECAL, WARNING	25..	510 246602....	1	....DECAL, CONTROL
13..	532 428676....	1	.... EMBLEM, CROWN H SM	26..	574 569607....	1	....DECAL, PZ6034

# PROTECTION FRAME

---





# PROTECTION FRAME

---

ITEM	PART NO.	QTY.	DESCRIPTION	ITEM	PART NO.	QTY.	DESCRIPTION
1..	575 324502....	1	TUBE, TOP GRY	6..	539 115576....	6	HCS $\frac{5}{8}$ -18 x 3 $\frac{1}{2}$
2..	574 330902....	2	TUBE, SIDE GRY	7..	539 976978....	4	NUT $\frac{1}{4}$ -20 HEX NYLOC
3..	574 388001....	2	LATCH PIN w/ LANYARD	8..	525 829101....	6	NUT $\frac{5}{8}$ -11 FLG NYLOC
4..	539 200715....	2	PIN, HAIR	9..	539 102653....	4	WASHER $\frac{5}{8}$ STD FLAT
5..	522 801401....	4	BUMPER, MALE STUD $\frac{1}{4}$ -20				